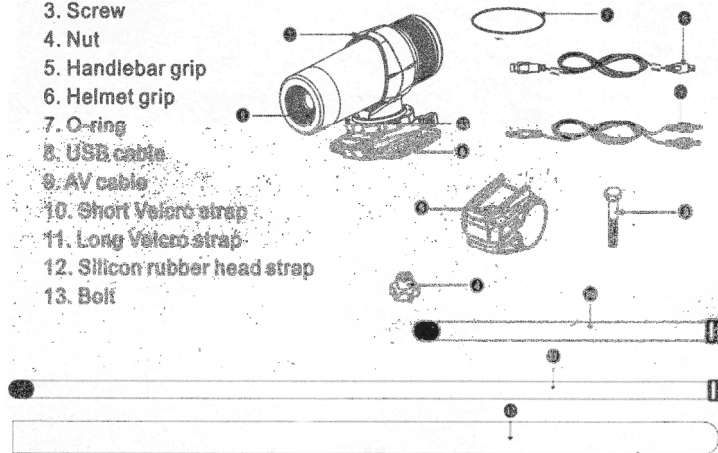


**Camera Description**

1. Lens
2. Camera grip
3. Screw
4. Nut
5. Handlebar grip
6. Helmet grip
7. O-ring
8. USB cable
9. AV cable
10. Short Velcro strap
11. Long Velcro strap
12. Silicon rubber head strap
13. Bolt

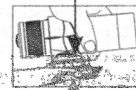


**Camera Mounting Description**

The camera can be mounted in a number of ways using the straps provided. Please follow the methods of mounting as suggested below:

- Fixing the position of the camera**
- a) Turn it anti-clockwise to screw the camera tight to fix it into position.
  - b) Turn it clockwise to unscrew the camera.

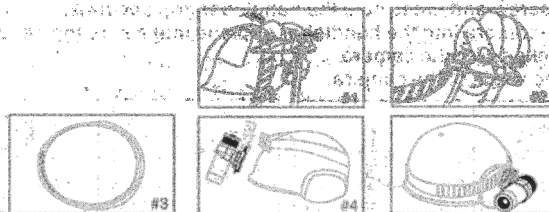
Turn it clockwise to unscrew.



Turn it anti-clockwise to screw tight.

**Mounting the camera onto the helmet using the silicon rubber strap**

- 1+2 Thread the silicon rubber strap through the helmet grip.
3. Mount the helmet grip to the helmet using the silicon rubber strap.
4. Slide the camera into the helmet grip. Turn it anti-clockwise.
5. Adjust the angle of the camera making sure it's tight in screw tight.
6. To avoid damaging the camera, the mounting screw should not be loosened before twisting the camera.



**Mounting the camera using the velcro strap:**

- 1+2. Place the helmet grip on the helmet, and thread the velcro strap through the helmet grip.
3. Secure the velcro strap by fastening it through the helmet vents.
4. Slide the camera into the helmet grip, and adjust the angle of the camera making sure it's tight.



**Mounting the camera using the handlebar grip:**

1. Place the handlebar grip on the handlebar.
2. Add the screw and nut to hold the handlebar grip securely.
3. Slide the camera into the handlebar grip and make sure the handlebar grip is locked with the camera.
4. Adjust the angle of the camera.



**Power on/off your action camera**

Screw out the cap from the backside of the camera, switch to power "ON" position, close the cap, press the shutter key in the middle for 2 to 3 seconds to start your action camera, you can hear a sound DIDI, and the green light is on. Press the shutter key for 2 to 3 seconds to turn off your action camera you can hear a sound DIDI, and the green light goes off.

**Take a Video**

When camera is powered on, press shutter button to start video recording (you can hear a sound DI and the green light starts twinkling), press shutter button again to stop recording (you can hear a sound DI, the green light stops twinkling).

The camera is supplied with a 8MB internal memory. After screwing off the cap at the backside of the camera, a TF card slot is visible (supports up to 8GB).

Place an optional TF card in the slot to lengthen your recordings.

Remarks: In VGA mode, The resolution of camera is 640×480

In QVGA mode, The resolution of camera is 320×240

**Playback on computer**

Install the software of the supplied CD-ROM on your computer. Place the CD-ROM in the relative station and follow the instructions on the screen.

Screw the cap from the backside of the camera, make sure it is in 'VGA' mode, if not, switch to 'VGA' mode, press the white shutter key until the green LED lights up. Connect the camera to the PC with the supplied USB cable, the red LED on the camera lights up. On the PC screen appears the extra hard disk icon, click on 'Play with Windows Media Player', then the recorded video is displayed on the screen.

**Web camera**

You can use the Action Camera as a webcam as follows: (Before the disc software installation is needed).

1. Screw the cap from the backside of the camera, switch to 'QVGA' mode.
2. Connect the camera to the PC with the supplied USB cable.
3. Push the white shutter button for 3 seconds, the green LED lights up.
4. Go to 'My computer', you will see a cam icon, double click the icon you could use it as webcam.

**Playback on TV**

1. Screw the cap from the backside of the camera.
2. Push the white shutter button for 3 seconds, the green LED lights up.
3. Connect the camera with the TV by using the supplied AV cable.
4. Choose the AV mode on your TV.
5. Press the ON/OFF button to play the video on your TV.
6. Press the ON/OFF button again to stop playback.
7. Hold the ON/OFF button for 3 seconds to repeat playback.

**Power switch**

Switch the power key to "ON" position, the camera and the battery power is connected. Switch the power key to "OFF" position, the camera and the battery power is disconnected.

**Charge the battery**

Connect the action camera to charger in USB port or your computer with USB cable, the red light is on to start charging. The red light is off when the battery is charged up.

**Specification**

1.3M CMOS sensor

Wide recording: 640×480 (30FPS)

3.5mm AV cable, 2.5mm USB cable

TF card slot (up to 8GB)

Microphone

TV out

Web camera

Remark: the specification is subject to change without notice.